

# Traveler™ XL

## Gravity Water Filter System

The Traveler™ XL is designed for use as both a daily countertop filter system, or for emergency and/or preparedness applications. The Traveler XL uses gravity to filter water in the upper chamber through the filter element(s) into the lower chamber where the filtered water is collected.

Manufactured from 304 grade polished stainless steel which offers a durable, lightweight, and portable means of filtering drinking water anywhere in the world.

The Traveler™ XL holds 1 or 2 filter elements.



Choose from our world class range of ceramic filters or from our revolutionary QuickDrip™ carbon block elements.

**Ceramic** elements offer:

0.9 micron absolute filtration, meaning small particles are trapped on the outside of the filter.

Cyst and bacteria protection with **Nano-Tect™**

**CeraPlus™** adds granular coconut shell carbon to the core of the ceramic element to help reduce unwanted tastes and odors.

**CeraMetix®** uses our AquaMetix® core technology for the broadest range of contaminant reductions including chloramines, metals, and fluoride.



**QuickDrip™** elements offer:

The only true pour-through gravity block filter, no priming required.

High flow, high capacity municipal water filter.

**Chemix™ GB** - chlorine, lead, mercury and VOC reduction.

**AquaMetix® GB** - chloramine, chlorine, metals, and fluoride reduction.

**QUICK DRIP™**  
Carbon Engineering

# Traveler™ XL

Ideal for use on municipal or natural water sources. Ideal for camping, emergency relief, and everyday use.

Saves money over expensive bottled water and pitcher filters that do not last.

Portable, lightweight, durable and high capacity filter.

Easy to use, simple to maintain. Ceramic filters can be cleaned up to 100 times.

Pour untreated water in the top and get clean, filtered water from the tap.

No power required.

Ceramic filters reduce/remove:

- Pathogenic bacteria (cholera, typhoid, salmonella, E coli, etc.).
- Giardia, Cryptosporidium, and other parasites.
- All types of particle contamination down to 0.5 Micron.

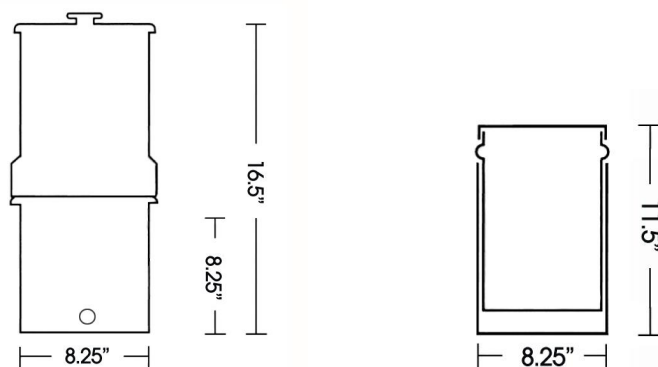
QuickDrip™ carbon filters reduce/remove:

- Chlorine, lead, mercury and VOC's.
- AquaMetix® version also reduces chloramines, metals, and fluoride.
- High capacities for chemical reductions.
- High flow, water within minutes.
- No priming, no carbon fines.
- QuickDrip™ filters are specially designed for municipal water use.

Simply assemble the unit, fill it with water, and enjoy.



Dimensions:



Total capacity 3 US Gallons (1.5 upper & 1.5 lower chamber) 12 liters.